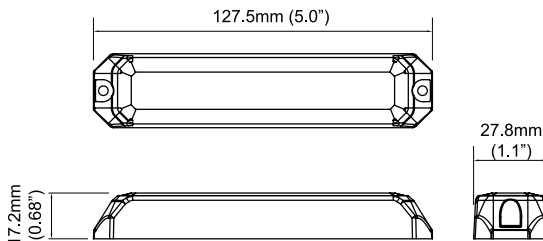


Technology with Vision



MINI STEALTH

6 LED LIGHT HEAD (Surface Mount)



MINI STEALTH

6 LED LIGHT HEAD (Surface Mount)

APPROVAL SAE, Title XIII, e13	LED POWER 6*1W LED	WARNING PATTERN 12 Flash Patterns	VOLTAGE 11~30VDC	REC. FUSE 3A	MULTI-UNIT SYNC. Over 15 units
AVG. POWER 5.5W	MAX. POWER 10.5W	AVG. CURRENT 0.4A @ 12.8VDC	MAX. CURRENT 0.8A @ 12.8VDC	AVG. CURRENT 0.22A @ 24VDC	MAX. CURRENT 0.44A @ 24VDC

MAIN APPLICATIONS: Universal

PRODUCT FEATURES

- Super low profile for discreet mounting
- Multi-Voltage Input 11~30VDC
- Built-in 19 selectable flash patterns
- LEDs rated to 100,000 hours of operation.
- Non-volatile memory recalls last flash pattern used at power up.
- Multiple units are synchronizable and can flash simultaneously or alternately.
- Reverse polarity protection.
- Weatherproof and vibration resistant design for external or internal use.
- Aluminum base for heat dissipation.
- Wires included: Red-Vcc : 97cm (20AWG), Black-GND : 97cm (20AWG), Yellow-Flash Patterns & Sync : 97cm (20AWG)

Available in: Red, Blue, Amber & White

Part Number: 1HI-022890-061

Short Code: H22890061

FP#	FLASH PATTERNS	
1	Random	7 Quad (SAE)
2	Steady	8 Quint (SAE)
3	Single (SAE)	9 8-Flash (SAE)
4	Mega	10 Single-Quad
5	Double (SAE)	11 Single H/L
6	Triple (SAE)	12 Single-Triple-Quint

GERMAN ENGINEERING SINCE 1899.

<http://www.hella.co.za> | www.facebook.com/hellasouthafrica

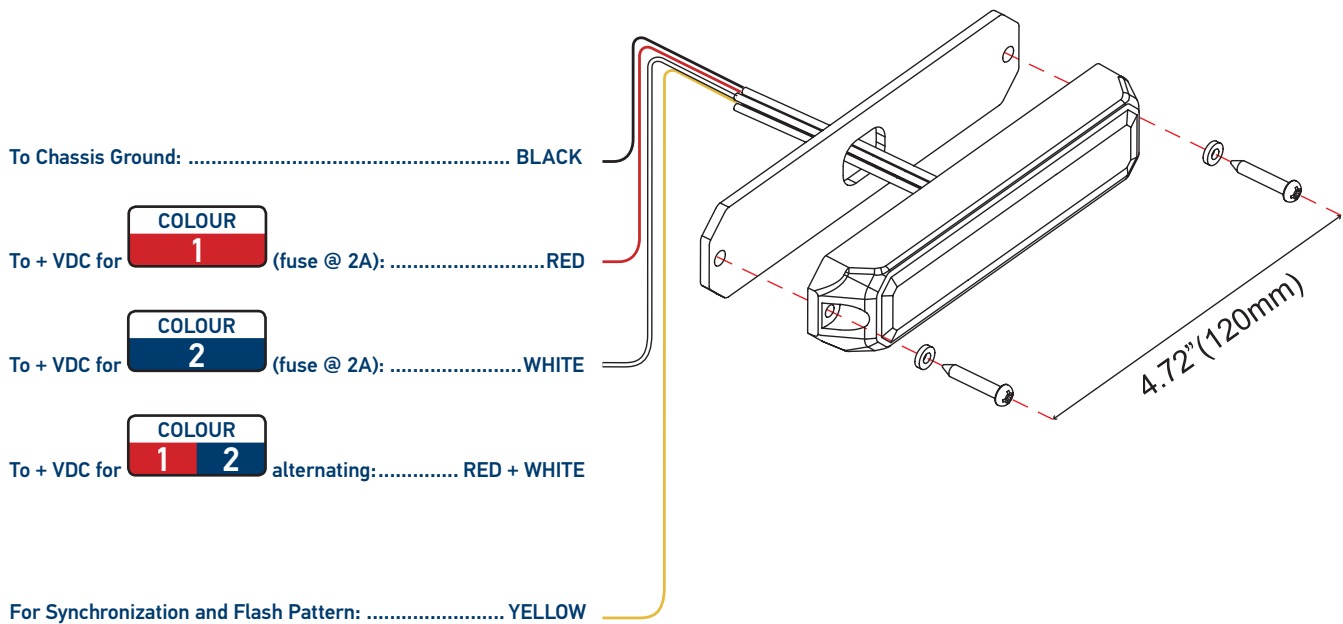
Technology with Vision



MINI STEALTH

6 LED LIGHT HEAD (Surface Mount)

SURFACE MOUNT



FOR SYNCHRONIZATION:

Connect YELLOW wires of all heads together for synchronization (All heads should be set at the same Flash Pattern)

FOR SIMULTANEOUS OR ALTERNATING FLASH:

- Apply +VDC to RED(or WHITE) and YELLOW wires simultaneously to enter Grouping mode; lighthouse will display short (single or double) flashes:
 - Single flash = Group1 • Double flash = Group2
- Remove YELLOW wire from +VDC and momentarily apply to +VDC to change Groups:
 - Heads in the same Group flash together.
 - Group1 Heads alternate with Group2 heads.

FOR FLASH PATTERN, MOMENTARILY APPLY +VDC TO YELLOW WIRE:

- once for next pattern
- quickly three times for reset to FP#1 (see flash pattern chart)

NOTE: This unit may not be factory-set at Flash Pattern #1

FP#	FLASH PATTERNS		
1	Random	7	Quad (SAE)
2	Steady	8	Quint (SAE)
3	Single (SAE)	9	8-Flash (SAE)
4	Mega	10	Single-Quad
5	Double (SAE)	11	Single H/L
6	Triple (SAE)	12	Single-Triple-Quint

GERMAN ENGINEERING SINCE 1899.

<http://www.hella.co.za> | www.facebook.com/hellasouthafrica