

# HELLA VALUEFIT

## RECHARGEABLE LED WORK LIGHT



### RECHARGEABLE LED WORK LIGHT

<b>BATTERY</b>  2600mAh	<b>BAT. VOLTAGE</b>  Full Charge 12.6V	<b>CHARGE TIME</b>  2.5h (@12V, 1.5A)	<b>CHARGE VOLT.</b>  DC 12V-24V	<b>MAX. CHARGE TEMP.</b>  45°C	<b>MAX. DISCHARGE TEMP.</b>  60°C
<b>REC. FUSE</b>  3A	<b>VOLTAGE</b>  10V-30V	<b>COLOUR TEMP.</b>  6000K	<b>BEAM ANGLE</b>  60°	<b>LENS MATERIAL</b>  PC	<b>HOUSING</b>  Aluminium Alloy + PC
<b>IP RATING</b>  IP65	<b>APPROVAL</b>  CE, ROHS				

**MAIN APPLICATIONS:** Universal

#### PRODUCT FEATURES

- On/Off Switch used to adjust brightness level and strobe mode.
- Charging port contains charging protection to avoid damaging the battery.
- Rechargeable Lithium Battery (UL & Un38.3 certified)
- Three Brightness levels:
  - Level 1: 240lm, can work 9 hours.
  - Level 2: 480lm, can work 6.5 hours.
  - Level 3: 720lm, can work for 3.5 hours

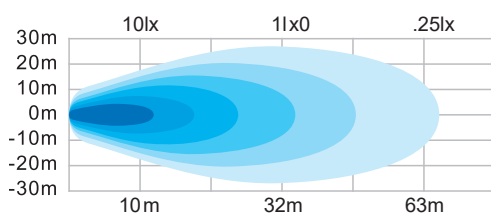
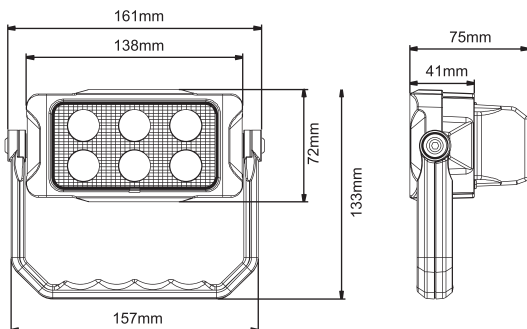
#### BUTTON FUNCTIONS

1. Power on/off and Dimming:  
 100% brightness: press once. 66% brightness: press second time. 33% brightness: press third time. Power off: press fourth time.

2. Strobe:  
 Double press the button when light is on (press twice in 0.3 seconds), activating strobe mode in three-long three-short frequency; double press the button for the second time, strobe frequency doubled; double press the button for the third time to turn off the strobe function. Dimming function is available when strobe mode is on.

3. Button lock and unlock:  
 Press the "button" for 3 seconds to lock and switch off the light; function 1 and 2 disabled; Press the button for 3 seconds for the second time, button unlocks and light turned to normal.

**Part Number:** 1GA-561801-001  
**Short Code:** VF5618



Flood Beam

